

Encoding at the Edge of your Network



1CH H.264 Network Video Encoder

SPE-100

SPE-100 is a high performing video encoder that converts video from analog cameras on to IP network system leveraging existing cost-effective analog system creating a hybrid solution. Highly efficient H.264 compression technology and ONVIF standard compliant, SPE-100 is the perfect solution when there is a need for hybrid solution.

- Real-time 30(25)fps at high resolution(4CIF)
- Max.resolution : 704 x 480, 704 x 576(4CIF)
- H.264/MPEG-4/MJPEG triple codec
- Multiple streaming simultaneously
- Bi-directional audio, SD memory slot support
- ONVIF standard protocol support



1CH H.264 Network Video Encoder

SPE-100

1CH

H.264

4CIF

Bi-directional
Audio

PoE

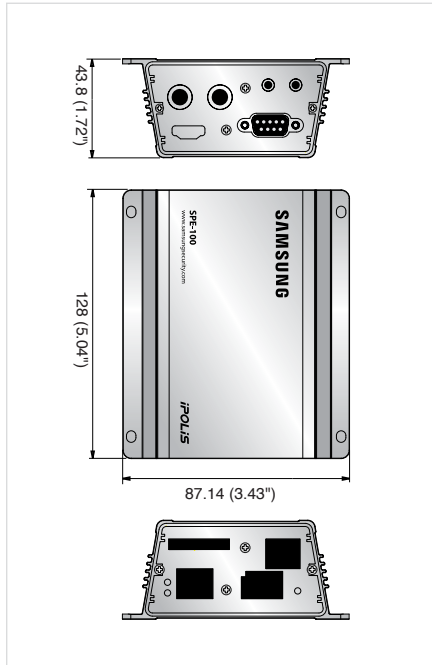


Specifications

			SPE-100
Network Board	OS	Flash memory	Embedded Linux
		RAM	128M byte
		Ethernet	256M byte
		Video In	RJ-45 (10/100 Base-T)
		Video Out	CVBS 1.0Vp-p(NTSC/PAL auto detect)
		Audio	CVBS 1.0Vp-p(Loop-out)
		SD Memory Slot	Line in / Line out
Alarm	Input / Output	PoE	Yes (IEEE802.3af)
			1ea / 1ea (Relay)
PTZ Control	Interface		1 (RS-485 interface)
		Protocol	Samsung-T, Samsung-E, Pelco-D/P
Video	Compression		H.264 / MPEG-4 / MJPEG Multiple codec
		De-Interlace	De-interlacing filter built-in
	Resolution	4CIF	NTSC : 704 x 480 / PAL : 704 x 576
		VGA	640 x 480
		CIF	NTSC : 352 x 240 / PAL : 352 x 288
	Max. Frame Rate		30(25)fps at all resolutions
	H.264 / MPEG-4 Quality		Compression : 5 ~ 100 (20 steps), Target bitrate (CBR mode only) : 1 ~ 10 level
	MJPEG Quality		1 ~ 20 level
Bitrate Control		H.264 / MPEG-4 : VBR / CBR, MJPEG : VBR	
Streaming		H.264 / MPEG-4/ MJPEG multiple streaming (Individual streaming simultaneously)	
Audio	Compression		G.711 u-law
	Bi-Directional Communication		Yes
Motion Detection	Intelligent Motion Detection		Normal motion detection
	IP		IPv4 / IPv6
Protocol	Network Protocol	IPv4	TCP/IP, UDP/IP, RTP(UDP), RTP(TCP), RTSP, NTP, HTTP, HTTPS, SSL, DHCP, FTP, SMTP, ICMP, IGMP, SNMPv1/v2c/v3(MIB-2), ARP, DNS, DDNS, ONVIF
		IPv6	TCP/IP, HTTP, HTTPS, SSL, DHCP
	Streaming		Unicast, Multicast
	Security		HTTPS (SSL) login authentication, Digest login authentication, IP address filtering, User access log
Connection	DDNS		Supporting samsung DDNS and public DDNS services
		Maximum User Access	Max. 10 users at unicast mode, Max. 20 users at multicast mode
		User Access Level	Administrator: Full control privilege Guest: Live monitoring only Additional User: Configurable privilege individually
Event Management	Alarm Input		Pre/Post alarm image buffering, Image recording : SD memory
	Intelligent Video Detection		Event notification, Alarm out activation
Web Browser Viewer (Default)	Schedule		JPEG Image transfer : FTP, Image recording : SD memory
	Supported OS		Windows XP, VISTA 7, Mac OS
	Supported Browser		Internet Explorer 6.0 or Higher, Firefox, Google Chrome, Safari
	PTZ Control		Pan, Tilt, Zoom, Camera OSD, Preset set/call
	Plug-in		MS SilverLight 4.0
Video Player	UI Language		English, French, German, Spanish, Italian, Chinese, Korean, Russian, Japanese, Swedish, Danish, Portuguese
	S/W Upgrade		Using web viewer UI
Video Management Software	RTP / RTSP Streaming		Quicktime, VLC player
Application	IP Installation		Samsung CMS S/W, 3rd party S/W application IP installer application for All Samsung IP devices
Environmental Conditions	Operating Temperature		+0°C ~ +50°C (+32°F ~ +122°F)
	Operating Humidity		0% ~ 90%RH
	Power Requirement		12V DC, PoE
Power	Power Consumption		Max. 4W
	LED Indicator		Yes (Power, Lan(Act, Link), SD memory)
Physical Specification	Dimensions (WxHxD)		128 x 43.8 x 87.14mm (5.04" x 1.72" x 3.43")
	Weight		391g (0.86 lb)
	Color / Case		Silver / Metal

Dimensions

Unit : mm (inch)



The Eco mark represents Samsung Techwin's will to create environment-friendly products, and indicates that the product satisfies the EU RoHS Directive.

Design and specifications are subject to change without notice.



SAMSUNG TECHWIN CO., LTD.

701, Sampyeong-dong, Bundang-gu, Seongnam-si, Gyeonggi-do Korea 463-400
Tel : +82-70-7147-8741~8749, 8752~8760 Fax : +82-31-8018-3745
www.samsungsecurity.com www.samsungcctv.com

SAMSUNG TECHWIN AMERICA INC.
1480 Charles Willard St. Carson, CA 90746, UNITED STATES
Tel Free : +1-877-213-1222 Fax : +1-310-632-2195
www.samsungcctvusa.com

SAMSUNG TECHWIN EUROPE LTD.
Samsung House, 1000 Hillwood Drive, Hillwood Business Park
Chertsey, Surrey, UNITED KINGDOM KT16 OPS
Tel : +44-1932-45-5300 Fax : +44-1932-45-5325

TIANJIN SAMSUNG TECHWIN OPTO-ELECTRONICS CO., LTD.
No.11 Wei 6 Street, Micro-Electronic Industrial Park
Jingang Road, Tianjin, P.R. CHINA 300385
Tel : +86-22-23887788 Fax : +86-22-23887788

■ DISTRIBUTED BY

